

Fire detection systems
normadet.com

2022

NORMADET
by Normagrup



We have many
important things
to protect



Autodet

Autonomous smoke detector

Battery operated optical smoke detector.
85 dbA audible alarm.
Test push button.
Check status and malfunction LED.
Powered by a 9V alkaline battery.

EN14604:2005 – N°: 1438/CPD/0145



AUTOMATIC
DETECTION



5 YEARS
WARRANTY

NORMADET

Fire detection systems
normadet.com

CERTIFIED COMPANY

 Normagrup

NORMADET

Fire detection systems
normadet.com

Toxic gases detection



NormaDet NCMC Control panels

6



Detectors

6

Conventional system



NormaDet NCC Conventional fire detection

10



NormaDet NCC-EXT Extinguishing control panels

12



NormaDet NDC Conventional fire detectors

14



Reflective beam smoke detectors

16



Special detectors

17



Manual call points

20



Extinguishing call points

20



Conventional sounders

22



Remote indicator

22



Visual signaling devices

22

Analogue system



NormaDet NCA Analogue addressable fire detection system

26



Addressable fire detectors

28



Manual call point with isolator

30



Loop powered sounders with isolator

30



Addressable interface with isolator

32

Accessories



Power supply units

34



Door holders

36



Special fire cables

37

Test sprays

Toxic gases detection

Detection through **electrochemical probe**

Detection System uses highly accurate and reliable electrochemical sensing cells to provide total control of ventilation systems in car parkings and garages. It incorporates the latest technology to get the highest efficiency and energy savings.





NormaDet NCMC

CERTIFIED PRODUCT. ASK FOR OUR PRODUCTION

Control panels



CONTROL
AND INDICATION

REF.	DESCRIPTION
NCMC1	CO Detection Control Panel with 1 zone module in metal cabinet sized 195 x 195 x 85 mm, and up to 2 zone modules.
NCMC2	CO Detection Control Panel with 2 zone modules in metal cabinet sized 195 x 195 x 85 mm
NCMC3	CO Detection Control Panel with 3 zone modules in metal cabinet sized 488 x 195 x 85 mm, and up to 5 zone modules.
NCMC4	CO Detection Control Panel with 4 zone modules in metal cabinet sized 488 x 195 x 85 mm, and up to 5 zone modules.
NCMC5	CO Detection Control Panel with 5 zone modules in metal cabinet sized 488 x 195 x 85 mm.

Detectors



AUTOMATIC
DETECTION

REF.	DESCRIPTION
NDMC	Electrochemical Carbon Monoxide (CO) detector with high profile mounting base with removal protection. 100 mm diameter.
	FOR THE DETECTION OF TOXIC GASES EMMITTED BY DIESEL VEHICLES (NO2)
NDDN	Electrochemical Nitrogen Dioxide (NO2) detector with high profile mounting base with removal protection. 100 mm diameter.
NDBG	Spare interchangeable mounting base for NDMC & NDDN detector with removal protection.



INSTALLATION WITH TWO POLARITY FREE WIRES IN FREE ARCHITECTURE.

Most relevant features:

- Filters are not required.
- Up to 10 years expected operational life.
- Only 2 wire free architecture installation unpolarized.
- Up to 16 detectors per zone, fully controlled (Address, alarm or fault).
- Programmable ventilation delay for energy saving.
- 3 different programmable level outputs: ventilation, turbo ventilation and alarm.
- Nitrogen Dioxide (NO₂) electrochemical detectors can be integrated in the same detection line with CO detectors.
- UNE-23300-84 certified.

Conventional system

Toughness and quality

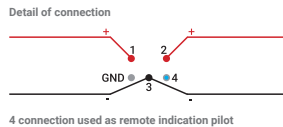
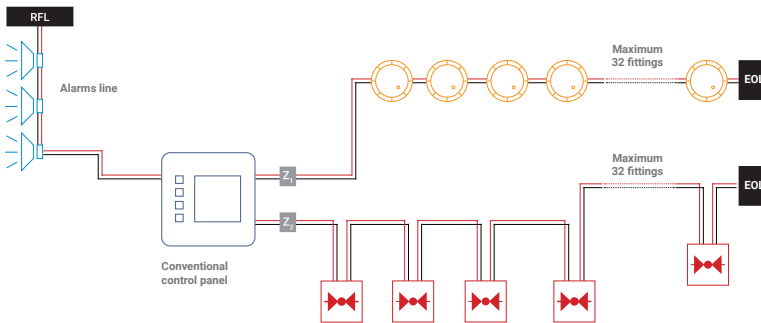
The elements of the system are connected to a control panel through different lines or zones. Each one of them has a limited number of elements connected, which is 32. In case of alarm, the system will show in which line this has been started in but not in which device (of the maximum of 32 connected to that zone).

Among its main advantages:

- Simplicity of installation and start-up
- Possibility of creation of a "multi-trademark" system (detectors and control panels from different manufacturers).

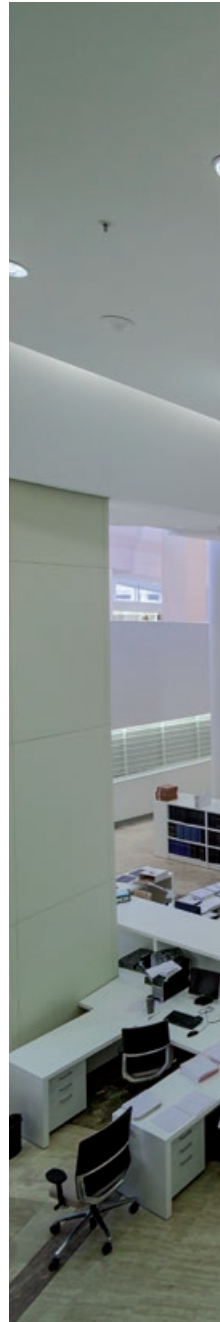
This system has been thought to be installed in:

- Small and medium-sized sites.
- Clear sites, such as garages or industrial units.



4 connection used as remote indication pilot

- The number of zones will depend on the fire control panel used.
- A red-black 1 mm² twisted pair of wire must be used
- Polarity must be taken into account
- At the end of the line, there must be placed an end of line resistance
- Maximum wire distance will be 1,000 m.





NormaDet NCC

Conventional fire detection

CERTIFIED PRODUCTS



Control panels



CONTROL
AND INDICATION

REF.	DESCRIPTION
NCC2	2 zones conventional fire detection panel. Size: 281 x 231 x 98 mm. (Small size housing)
NCC4P	4 zones conventional fire detection panel. Size: 281 x 231 x 98 mm. (Small size housing)
NCC4G	4 zones conventional fire detection panel. Size: 339 x 332 x 90 mm. (Large size housing).
NCC8	8 zones conventional fire detection panel. Size: 339 x 332 x 90 mm. (Large size housing).
NCC12	12 zones conventional fire detection panel. Size: 339 x 332 x 90 mm. (Large size housing).
NCC4G-1TR	4 zones conventional fire detection panel, it includes relay uotputs by zone. Dimensions: 339 x 332 x 90 mm. (Large size housing)
NCC8-2TR	8 zones conventional fire detection panel, it includes relay uotputs by zone. Dimensions: 339 x 332 x 90 mm. (Large size housing)
NCC12-3TR	12 zones conventional fire detection panel, it includes relay uotputs by zone. Dimensions: 339 x 332 x 90 mm. (Large size housing)

Batteries

REF.	DESCRIPTION
ACUPL12V2	Rechargeable battery 12V · 2,2Ah.
ACUPL12V7	Rechargeable battery 12V · 7Ah.
ACUPL12V9	Rechargeable battery 12V · 9Ah.

NormaDet NCC



Control unit for fire detection systems in small and medium sized buildings. Robust and reliable, its features allow fast, efficient installation and maintenance, simple operation and an attractive housing.

Most relevant features:

- Microprocessor controlled and easy access code for keypad activation.
- Programmable sounders delay.
- One man test facility.
- Possibility of isolating zones.
- General alarm press button for evacuation function.
- Specific indication for detector's fire alarm or manual call alarm.
- Specific indication of fire zones or sounder line faults.
- 2 supervised sounders output.
- 2 voltage free relays for fire and fault.
- Automatic resettable fuses.
- Different zones output optional module.
- RS-485 output to connect optional communication card (repeaters, communicators, etc)
- EN 54-2 y 4 certified.

NormaDet NCC-EXT

Extinguishing control panels

CERTIFIED PRODUCTS.

EN-12094-1 Certified



Fire extinguishing control panels



REF.	DESCRIPTION
NCC1EXT	2 zones control panel for 1 sector extinguishing system. Size: 339 x 332 x 90 mm
NCC2EXT	4 zones control panel for 2 different sectors extinguishing systems. Size: 339 x 332 x 90 mm

Batteries

REF.	DESCRIPTION
ACUPL12V2	Rechargeable battery 12V · 2.2Ah.
ACUPL12V7	Rechargeable battery 12V · 7Ah.
ACUPL12V9	Rechargeable battery 12V · 9Ah.



NormaDet NCC-EXT



The NormaDet NCC-EXT series panels have been designed to control fire extinguishing systems in 1 or 2 different sectors with 2 or 4 different detection zones.

Designed for easy handling, installing and maintenance, they have the necessary features to allow automatic control of fire extinguishing systems with all types of agents, in an attractive format.

NormaDet NDC

Conventional fire detectors

CERTIFIED PRODUCTS

EN 54-5 and 7 Certified



Conventional detectors



AUTOMATIC
DETECTION

REF	DESCRIPTION
NDC T	Rate of rise heat detector with static response (57°C) ,with low power consumption. Led status indicator and remote led indicator output. Diameter: 100 mm. EN 54-5 certified. Base not included.
NDC O	Optical smoke detector (photo-electric) with low power consumption. Self-checking and chamber maintenance signaling. Led status indicator and remote led indicator output. Diameter: 100 mm. EN 54-7 certified. Base not included.
NDC OT	Optical-Heat multisensor, combines the features of previous detectors to expand the detection range. Low power consumption. Led status indicator and remote led indicator output. Diameter: 100 mm. Base not included.
NDB	Low profile interchangeable mounting base with remote indicator connector and removal protection.
NDB A	High profile interchangeable mounting base with remote indicator connector and removal protection.
NDB AS R	High profile interchangeable mounting base with voltage-free relay output. Power 12V.



NormaDet NDC



Smoke detectors for general application in conventional systems. Innovative electronic and mechanical design with locking extraction and ease of assembly. Low power consumption. Special immunity and resistance in difficult environments.

Detectors

Conventional fire detection

CERTIFIED PRODUCT. ASK FOR OUR PRODUCTION

Reflective beam smoke detectors



AUTOMATIC
DETECTION

REF.	DESCRIPTION
NDOP-6001R	Reflective beam smoke detector through infrared beam. Includes a transceiver, acting with a wireless prismatic reflector in the opposite side (NOT PROVIDED). Includes a laser tracer that makes it possible to see and adjust the beam with absolute accuracy and in a simple and efficient manner, even through very small spaces. Reaches up to 100m, and has 7.5 m protection on each side (EN-54-14). Measurements: 150x80x80mm. Alarm and breakdown output through potential free relays. Power 10-28 V. EN54-12: CPD 89/106/EWG Certification
NE39-R8	Prismatic reflector for NDOP-6001R for distances comprised between 5 and 50 metres.
N4xE39R8	Set of prismatic reflectors for NDOP-6001R, for distant alarm signalling in high or hidden installations.
NWZ-31	Optional repeater pilot for NDOP-6001R, for distant alarm signalling in high or hidden installations.
NHPD	Optional test and adjustment sheets for NDOP-6001R.
NIS-40	Optional alignment mirror for long distances. For NDOP-40R.

Special detectors

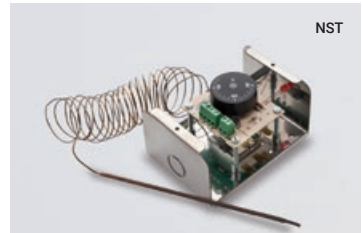


AUTOMATIC
DETECTION



New

REF.	DESCRIPTION
NST	Adjustable thermal probe for special uses, such as areas close to ovens, extractor hoods, etc. Includes a control unit with regulation between 50 and 300°C placed in a metal box, and an external probe for the distant assessment of the temperature. Detector or push button function. Stainless steel box. 125x90x65 mm. 10/30V - 0/100 mA.
NPUO-40	Optical flame detector for detecting ultraviolet radiation at a wavelength of 200 nm by collector electrode in a gas tube. Indoor use. Up to 25m range and 110° opening. LED status indicator and output for remote use. 9-28 Vdc power supply, 20 mA in alarm. Base mod. G-40 not included. Diameter 115mm. Certificate EN 54-10:2002



EASY INSTALLATION BY MEANS OF LASER

Specially intended to protect spaces where, due to their big dimensions, would be necessary to use a huge number of punctual detectors, or where due to the height there could be difficulties for the detection, installation or maintenance.

Reflective beam smoke detectors are sensitive to the average value of smoke density all along the infrared line. This is why they are especially appropriate to be applied on high ceilings or in those areas where the smoke can be blurred in a high volume before it can be detected, such as monuments, theatres, big sports centres, industrial buildings, storage warehouses, etc. where punctual detectors could be less efficient.

Detectors

Conventional fire detection

CERTIFIED PRODUCTS. SOLICITE NUESTROS CERTIFICADOS

Special detectors



AUTOMATIC
DETECTION



New



New

REF.	DESCRIPTION
NADR-20N Autodet	Battery operated optical smoke detector for housing uses, it includes a 85 dbA audible alarm, test push button and a check, status and malfunction LED. Powered by a 9V alkaline battery (included) with a lifetime longer than 2 years. Networking between several detectors in order to improve alarm transmission is available. Easy maintenance cleaning of the detection chamber. EN14604:2005 - N°: 1438/CPD/0145
NTUN38-EX	Heat detector intrinsically safe for special applications in areas with a potentially explosive atmosphere. I can be programmed as thermospeedometer or fixed temperature detector, with three different degrees available. Resilient construction in black IP-44 plastic, it includes a cable input with gland. It does not require a base. Status indicator LED and a remote pilot output. Power 17-24 V, 20 mA in alarm mode. Dimensions: 110 x 65 x 55 mm- N° KDB 04ATEX172X certification, classified as Ex: II 2G EEx ib IIC T5/T6
NDUR40-EX	Optical smoke detector intrinsically safe for applications in areas with potentially explosive atmospheres. It includes a compensation circuit able to keep sensibility constant and correct environmental variations. It includes a removable chamber, for maintenance or replacement. Status display LED. Power 12-28 V, 20 mA while in alarm mode. NG-40 base not included. Diameter 115 mm. N° KDB 04ATEX190X certification, classified as II 2G EEx ib IIC T6.
NPU040-EX	Intrinsically safe optical flame detector for detection of ultraviolet radiation similar to the PU040 model, for application in potentially explosive areas. Indoor use. Up to 25m range and 110° opening. LED status indicator and output for remote use. Power supply 17 – 24 Vdc, 20 mA in alarm. Base model NG-40 not included. Diameter 115mm. Certificate granting classification II 2G Ex ib IIC T6 Gb.
NG-40	Base for NDUR-40-EX optical smoke detector with extraction blocking available. 108 x 28,5 mm

Detectors



Call points

Conventional fire detection

CERTIFIED PRODUCTS.

Applus⁺

Manual call points



MANUAL
DETECTION

REF.	DESCRIPTION
NPCR	Manual Call Point with resettable elements and protective cover. Zener diode included to be specifically monitored by the control panel as a "MCP Fire". Semi flush or surface mounting. Reset key included. Size: 105 x 100 x 60 mm. EN 54-11-2001 certified.
NPE	Accessory for flush mounting in standard casing.
NCPE	IP-65 watertight protective casing for NPCR, NPCAM, NPCAZ and NPA manual call points. It includes seal and ancillary devices. It does not include a call point.

Extinguishing call points

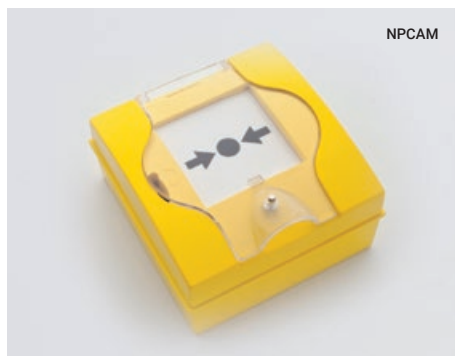


MANUAL
DETECTION

REF.	DESCRIPTION
NPCAM	Extinguishing RELEASE call point (Yellow), with resettable elements, protective cover and precinct.
NPCAZ	Zener diode included. Size: 110 x 105 x 63mm. Extinguishing STOP call point (Blue), with resettable elements, protective cover and precinct. Zener diode included. Size: 110 x 105 x 63mm.



Call points



Alarm signaling devices

Conventional fire detection

CERTIFIED PRODUCTS



Conventional sounders



REF.	DESCRIPTION
NSCI	Indoor sounder with flashing light. Very low consumption (12 mA @24V). 90 db output sound. Tone selector. Anti-panic initial function. Cable entries for surface or flush wiring. Size: 100 x 35 mm. EN 54-3-2001 certified.
NSCE	Outdoor sounder with flashing light. Very low consumption (20 mA@24V). 95 db output sound. Tone selector. Anti-panic initial function. Size: 280 x 197 x 58 mm. Red color with "FIRE" text. EN-54-3-2001 certified.

Remote indicator



REF.	DESCRIPTION
NPILL	Remote led indicator for conventional and analogue fire detectors with compact design and translucent cover with 16 mm tube entry. 3,29 Vcc. Size 65 x 65 x 35 mm. 12-28 V

Visual signaling devices



REF.	DESCRIPTION
NRED	Visual and sound signaling device. "EXTINGUISHANT RELEASED - DO NOT ENTER" is printed on the device. 15-30 V - 40 mA. Size 235x115x60 mm
NRGT	Visual and sound signaling device. "TOXIC GASES - DO NOT ENTER" is printed on the device. 15-30 V - 40 mA. Size 235x115x60 mm.
NRFG	Visual and sound signaling device. "FIRE IN PARKING" is printed on the device. 15-30 V - 40 mA. Size 235x115x60 mm.

Alarm signaling devices



Analogue system

Larger capacity for control and supervision

Easy and quick installation and programming

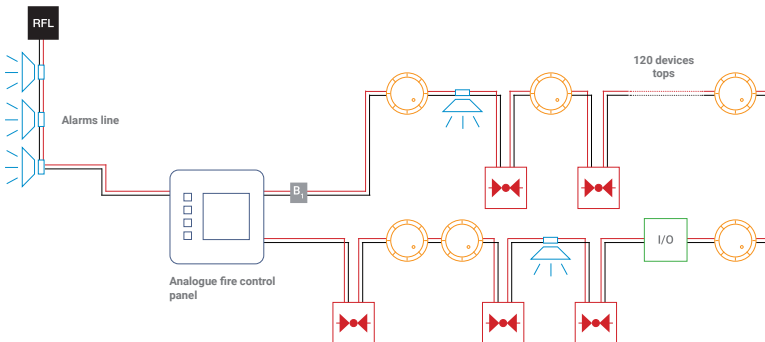
In an addressable system, detection and warning devices are connected to the control panel through various lines or loops. A maximum of 120 devices might be connected to each of these lines.

Main difference with conventional system is that it is possible to know in which specific device an alarm has been detected.

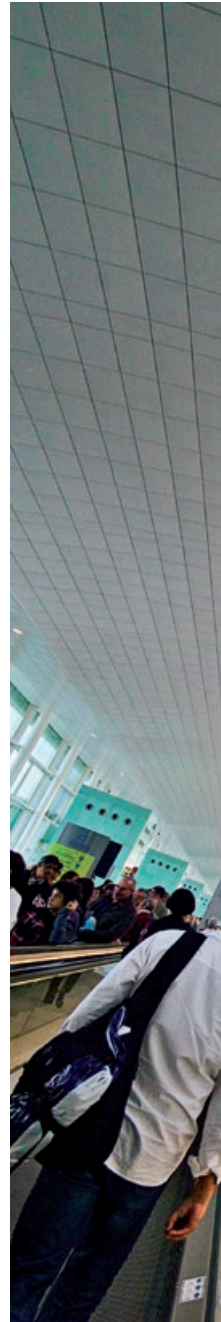
Furthermore, it is possible to integrate control of other important devices - air-conditioning systems, fire doors - into the detection and alarm system.

Buildings in which addressable detection and alarm systems are recommended:

- Administrative buildings
- Airports
- Large commercial stores
- Hotels
- Public buildings
- Hospitals
- Very compartmentalised buildings
- Universities
- Etc.



- The number of loops will be dependant on the fire central used
- Use shielded twisted pair, black and red, 1.5 mm²
- Polarity to be observed
- There are input/output modules available, for other elements (fire doors, air-conditioning systems,...) integration





NormaDet NCA

Analogue addressable fire detection system

CERTIFIED PRODUCTS



Analogue addressable



CONTROL AND INDICATION

REF.	DESCRIPTION
NCA1	1 loop analogue addressable control panel, up to 120 devices capacity. Full control and programming via 3,5" touch sensitive screen. Supervised outputs, TTL, RS232 & card RS-485 connections. Can be expanded in network. Size: 339 x 332 x 90 mm. Room for 2 12V, 9Ah batteries
NCA2	2 loops analogue addressable control panel, up to 120 devices capacity per loop. Full control and programming via 3,5" touch sensitive screen. Supervised outputs, TTL, RS232 & card RS-485 connections. Can be expanded in network. Size: 339 x 332 x 90 mm. Room for 2 12V, 9Ah batteries
NCA-COM	Data cable for PC connection (Back-up software included)

Batteries

REF.	DESCRIPTION
ACUPL12V2	Rechargeable battery 12V · 2,2Ah.
ACUPL12V7	Rechargeable battery 12V · 7Ah.
ACUPL12V9	Rechargeable battery 12V · 9Ah.
ACUPL12V12	Rechargeable battery 12V · 12Ah.

NormaDet NCA



The NormaDet NCA analogue addressable detection system has been developed to suit buildings of various types and sizes due to its flexibility and its low cost.

Belonging to a new generation of systems, it includes the latest trends in analogue detection and management of fire alarms.

Its easiness of programming and addressing via a touch-sensitive screen and its reduced installation requirements, allows significant savings in time and costs, as well as a control and operation efficient and durable.

Most relevant features:

- 3,5" touch sensitive screen with deployment of full QWERTY keypad.
- Full programming and configuration without PC.
- Ability to view the loop map and a floor plan of the building on the screen.
- Up to 120 addressable devices per loop, sounders included.
- All devices can be addressed automatically or individually.
- Device Group Configuration, commands and complex functions.
- Sensitivity adjustment and drift compensation.
- Status information, voltages, battery backup, consumption, etc., at display.
- Short-circuit isolators serial included in MCPs, sounders, and interfaces.
- TTL expansion output for peripherals (relays, extinguishant control card, etc.).
- Output connection for RS-485 card (panel network and repeaters).
- RS-232 output for advanced functions: PC (graphics, software, etc.) and modem (communicator).
- Loop cables up to 1,200 meters long with 2 x 0,75 mm² wires.
- Communication with the various devices on high-immunity modulated frequency.
- Supports standard 4-20 mA devices through addressable input modules.
- EN 54 Certified.

Detectors

Analogue addressable fire detection

ASK FOR OUR CERTIFICATION



Addressable fire detectors

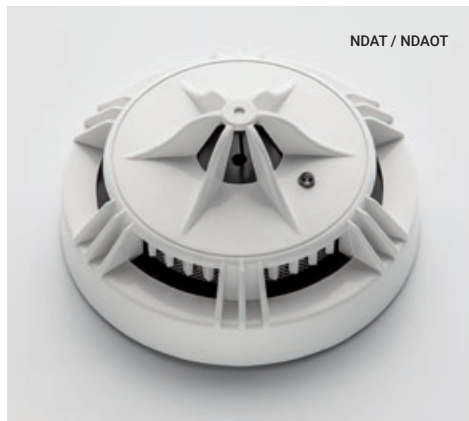


AUTOMATIC
DETECTION

REF.	DESCRIPTION
NDAT	Analogue addressable heat detector. Specifically to be used where, due to airborne contamination, unwanted alarms from smoke detectors can be experienced, or where a fire with high level of energy and heat emission can be expected. Sensitivity levels controlled from panel. Led status indicator and remote indicator output. Diameter: 100 mm. EN 54-5 certified. Base not included.
NDAO	Analogue addressable optical smoke detector. Specifically for general application by smoldering smoke analysis with optical. Sensitivity levels controlled from panel. Led status indicator and remote indicator output. Diameter: 100 mm. EN54-7 certified. Base not included.
NDAOT	Analogue addressable multisensor optical – heat detector. Provides superb risk protection detecting both smoldering smoke and free burning fires with high heat emission. Sensitivity levels controlled from panel. Led status indicator and remote indicator output. Diameter: 100 mm. Base not included.
NDB	Low profile interchangeable mounting base with remote indicator connector and removal protection.
NDBA	High profile interchangeable mounting base with remote indicator connector and removal protection.

Detectors

NDAT / NDAOT



NDAO



NDB



NDBA



Loop devices

Analogue addressable fire detection

ASK FOR OUR CERTIFICATION



Manual call point with isolator



MANUAL
DETECTION

REF.	DESCRIPTION
NPA	Addressable manual call point with short-circuit isolator included. Resettable. It includes a protective transparent cover. Partially built-in call point available. LED status indicator. Dimensions: 105x100x60 mm. EN54-11 certification.
NPE	Accessory for flush mounting in standard casing.
NCPE	IP-65 watertight protective casing for NPCR, NPCAM, NPCAZ and NPA manual call points. It includes seal and ancillary devices. It does not include a call point.

Loop powered sounders with isolator



ALARM AND
COMMUNICATION

REF.	DESCRIPTION
NSAI	Addressable loop powered indoor sounder with flashing light. Short-circuit isolator included. 95 db output sound. Tone selector. Anti-panic initial function. Cable entries for surface or flush wiring. Size: 100 x 35 mm. EN-54 3-2001 certified.
NSAE	Addressable loop powered outdoor sounder with flashing light. Short-circuit isolator included. 105 db output sound. Tone selector. Anti-panic initial function. Size: 280 x 197 x 58 mm. Red color with "FIRE" text. EN-54 3-2001 certified.

Loop devices



Loop devices

Analogue addressable fire detection

ASK FOR OUR CERTIFICATION



Addressable interface with isolator

I/O I/O INTERFACES

REF.	DESCRIPTION
NMAES	Addressable input / output interface. Loop powered and short-circuit isolator included. Provides a voltage free relay output (2 A a 30 V) to operate other devices like door holders, signaling equipment, elevators, and one single switch input to monitor different signals to be supervised individually by the panel, like door opening, flush detectors, other devices etc. Led status indicator. Size: 154 x 109 x 50 mm.
NMAC	Addressable conventional zone interface. Loop powered and short-circuit isolator included. Allows power and operation of a zone of conventional detectors giving a collective address in the main panel. Led status indicator. Size: 154 x 109 x 50 mm.
NMA4.20	Format 4-20 mA input interface. Loop powered and short-circuit isolator included. Provides connection with the main system of any standard 4-20 mA format external device to be individually controlled (gas monitoring, level, pressure sensors, etc.). Led status indicator. Size: 154 x 109 x 50 mm.
NMAA	Short-circuit isolator. Allows sensing and isolating faults on the loop avoiding the loss of devices in a short circuit event. Led status indicator. Size: 154 x 109 x 50 mm.

Accessories



Power supply units

Power supply units



POWER SUPPLY
UNITS

REF.	DESCRIPTION
NF12-3	12V 3A Power supply in a 281 x 231 x 98 mm steel casing with space for 1 12V/7A battery. Fault and tamper voltage free outputs.
NF12-6,5	12V 6,5A Power supply in a 312 x 251 x 99 mm steel casing with space for 2 12V/7A batteries. Fault and tamper voltage free outputs.
NF24-2,5	24V 2,5A Power supply in a 281 x 231 x 98 mm steel casing with space for 1 12V/2A batteries.
NF24-5	24V 5A Power supply in a 312 x 251 x 99 mm steel casing with space for 2 12V/7A batteries.
NF24-7,5	24V 7,5 A Power supply in a 312 x 251 x 99 mm steel casing with space for 2 12V/7A batteries.
NFC24-2	24V 2A power supply, EN54-4 certified, with 2 LEDs to indicate the status and a relay output to indicate a possible failure. Metallic box (400 x 350 x 100mm) with capacity for 2 12v 20Ah batteries.



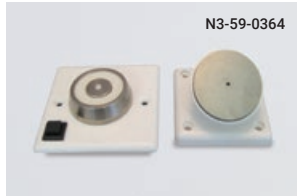
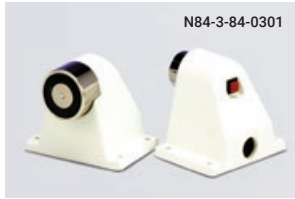
Batteries

REF.	DESCRIPTION
ACUPL12V2	Rechargeable battery 12V · 2,2Ah.
ACUPL12V7	Rechargeable battery 12V · 7Ah.
ACUPL12V9	Rechargeable battery 12V · 9Ah.

Power supply units



Switched-mode power supply units with capacity for batteries. Charge control and short-circuit proof, specific for safety systems.



Door holders



Under specific demand we can supply retainers with special golden or chromed coatings.

REF.	DESCRIPTION
N87-3-87-0370	Electromagnetic door holder to be fixed to walls, with unblocking push button and articulated magnetic plate. 200N force. ABS fire retardant plastic casing. Protection fuse. 24 V, 45 mA. Dimensions: 95 x 85 x 45 mm. EN 1155 certification
N84-3-84-0301	Electromagnetic door holder to be fixed to floors, with unblocking push button and articulated magnetic plate. 200 N force. Very resilient aluminium casing. Protection fuse. 24 V, 45 mA. Dimensions: 110 x 80 x 95
N3-59-0364	Electromagnetic door holder to be built-in walls, universal casing, unblocking push button and articulated magnetic plate. 200 N force. Steel casing. Protection fuse. 24 V, 45 mA. Dimensions: 86 x 86 x 43 mm. EN 1155 certification
N3-79-05200	Universal electromagnetic door holder to be fixed to walls, ceilings or floors. 500N force. Adjustable head and resilient stell structure, 250 mm long, easily shortenable. Unblocking push button and articulated magnetic plate. Protection fuse. 24V, 45 mA.
N59-0801-G006	Electromagnetic door holder with IP-65 environmental protection and sealed cable input. Resilient galvanized steel construction for special applications, even outdoors or maritime. 1,200 N force. Dimensions: 102 (diameter) x 45 mm. It includes articulated magnetic plate. 24 V, 7 W.

Twisted cable



Shielded twisted cable



Fire resistant shielded twisted cable



Specific fire safety systems cable, halogen-free according to UNE-50267-2-1 and also fire resistant according to UNE-21025.

Provided in reels of 100 meters.

Special fire cables

REF.	DESCRIPTION
NCABT2x1,5	Twisted cable, 2 x 1.5 red/black. Not shielded, halogen-free
NCABTA2x0,75	Shielded twisted cable, 2 x 0.75, halogen-free (AS) (specific for analogue control panels)
NCABTA2x1,0	Shielded twisted cable, 2 x 1, halogen-free (AS)
NCABTA2x1,5	Shielded twisted cable, 2 x 1.5, halogen-free (AS)
NCABTAFR2x0,75	Shielded twisted cable, 2 x 0.75, halogen-free and fire resistant Ph90 (AS+) (specific for analogue control panel)
NCABTAFR2x1,5	Shielded twisted cable, 2 x 1.5, halogen-free and fire resistant Ph90 (AS+)

Test sprays

REF.	DESCRIPTION
NSOLOA5	Smoke detector test spray. 250 mL can. It does not pollute detector or environment. Not flammable. Can be used manually or with a rod. UL certification
NSOLO C3	CO detector test spray. 250 mL can. It does not pollute detector or environment. Not flammable.

NORMADET

Fire detection systems
normadet.com



100%

*Entirely designed and
manufactured in Spain*

Sede central / Headquarters

Parque Tecnológico de Asturias. C/ Ablanal, 1
33428 Llanera (Asturias). España / Spain
normagrup.es

Normagrup UK

Black Country House
Rounds Green Road
Oldbury
B69 2DG

Normagrup Netherlands

Korte Huifakkerstraat 18
4815 PS Breda, The Netherlands

Normagrup Francia

27 Rue Edouard Lang
76600 Le Havre
France

Normagrup Iluminación de México SA de CV

Av. Ignacio Comonfort 239
Col. Santa Ana Tlapaltilán
Toluca, Estado de México
C.P. 50160 México



Normagrup